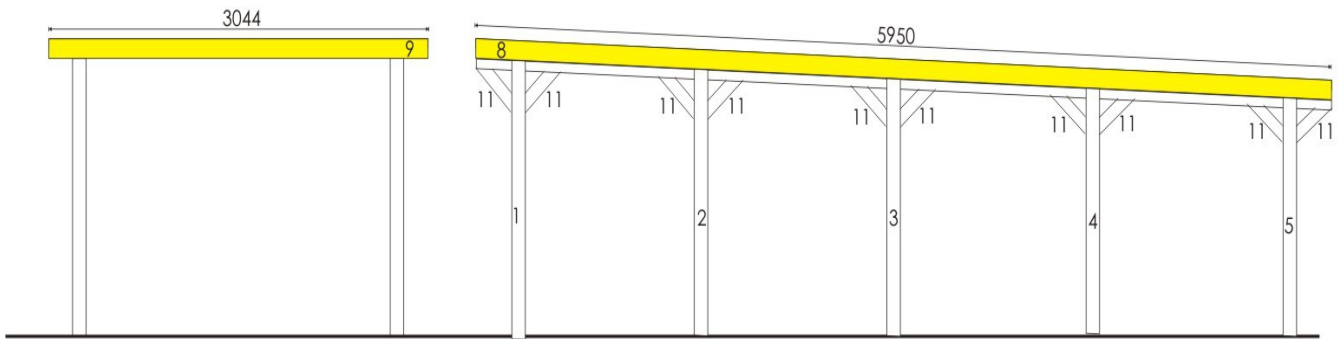
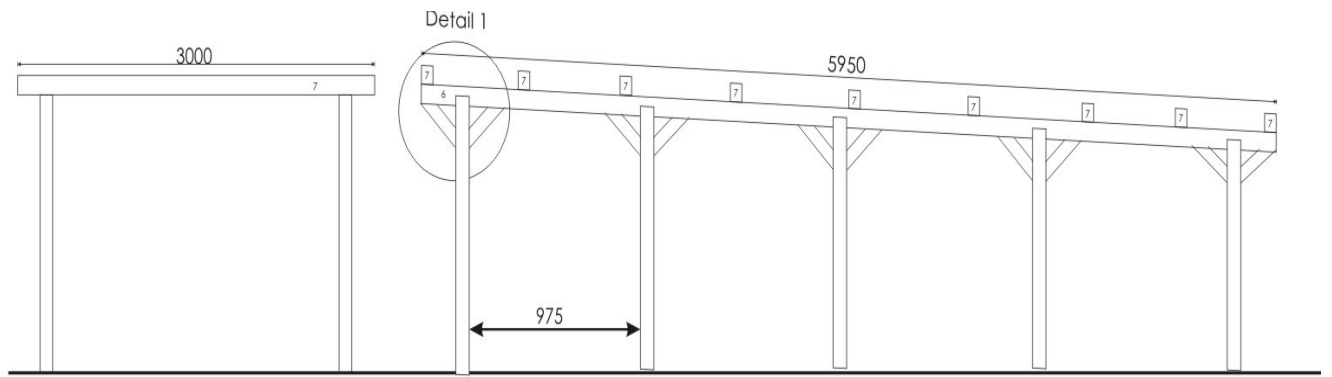
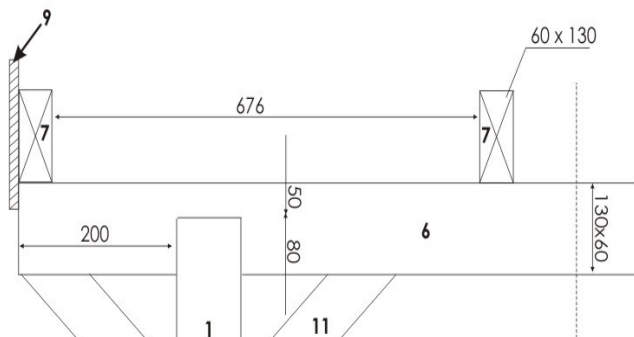




www.dihc.dk

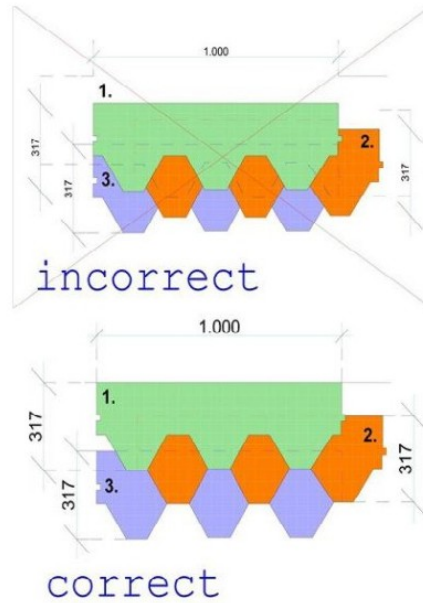


7



	<i>Length</i>	<i>Width</i>	<i>Table</i>	<i>Psc.</i>
1	2100	130	60	2
2	2090	130	60	2
3	2080	130	60	2
4	2070	130	60	2
5	2060	130	60	2
6	5950	130	60	2
7	3000	130	60	9
8	5950	105	22	2
9	3044	105	22	2
10	2975	110	18	56
11	600	130	60	24

Felt roof shingles: When the whole structure is assembled and has been treated, attach the felt roof shingles to the roof-boards as shown in the picture. We recommend that you cover the roof only after the structure has been treated.



Treatment. It is important to treat the product using a quality wood-preservative instantly after the assembly process is finished. Apply at least 2 coats to the outside and 1 to the inside. Repeat annually.

After-sale service. Any missing parts or defects must be declared in the last page of this instruction below) within 10 days of the product being received. Our After Sales Service will replace defective or missing parts. Make sure you fill in the After-sales service form correctly.

Assembly notice – keep for later reference.

We hope you enjoy your purchase.

Sincerely yours

DIHC. ApS team

